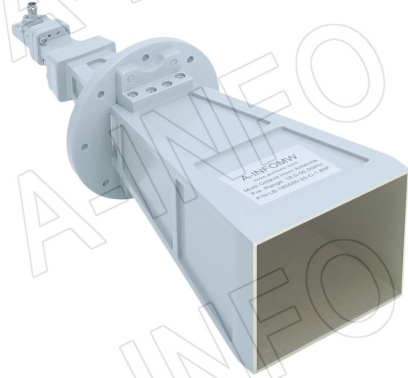


For reference only. See data sheet for the detailed specifications.

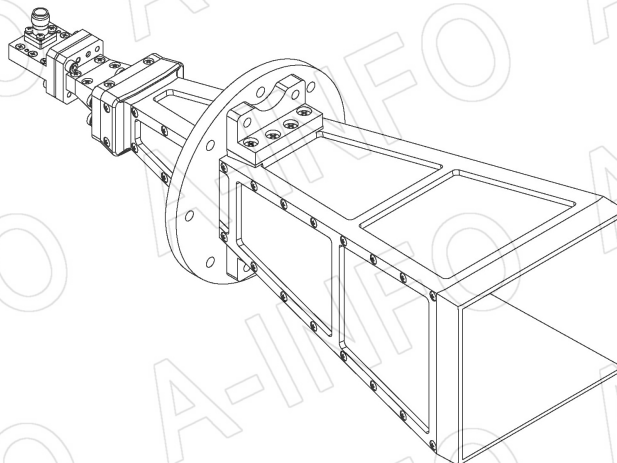
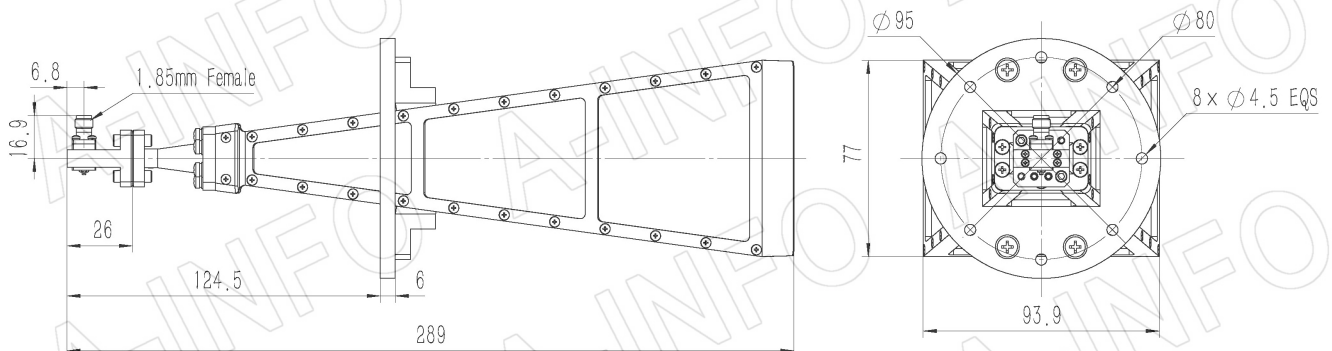
## Technical Specification



Frequency Range(GHz)	18.0 – 55.0
Gain(dBi)	25 Typ.
Polarization	Linear
3dB Beamwidth(deg)	E Plane: 13 - 5
	H Plane: 14 - 7
Cross Pol. Isolation(dB)	40 Typ.
VSWR	1.50:1 Typ.
Connector	1.85mm-Female
Power Handling(W CW)	5 Max.
Material	Cu
Finish	Gold Plated and Chemical Conversion Coating, Gray Paint
Size(mm)	95 x 95 x 289
Net Weight(Kg)	0.60 Around

## Outline Drawing (Size: mm)

1.85mm-Female Output (P/N: LB-180550-25-C-1.85F)



**AINFO Inc.**

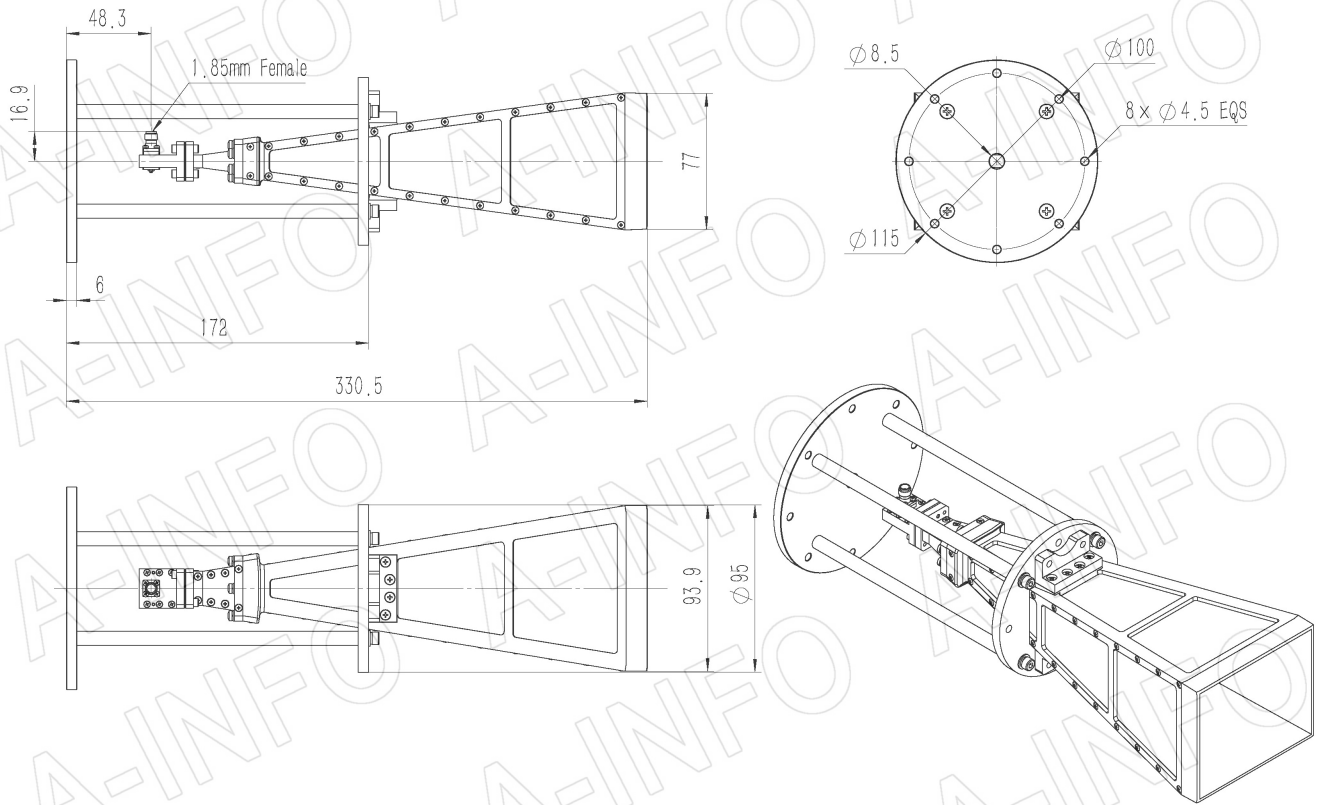
China(Beijing): Tel: (+86) 10-6266-7326,  
 China(Chengdu): Tel: (+86) 28-8519-2786,  
 USA: Tel: (+1) 949-639-9688,

Page 1 of 19

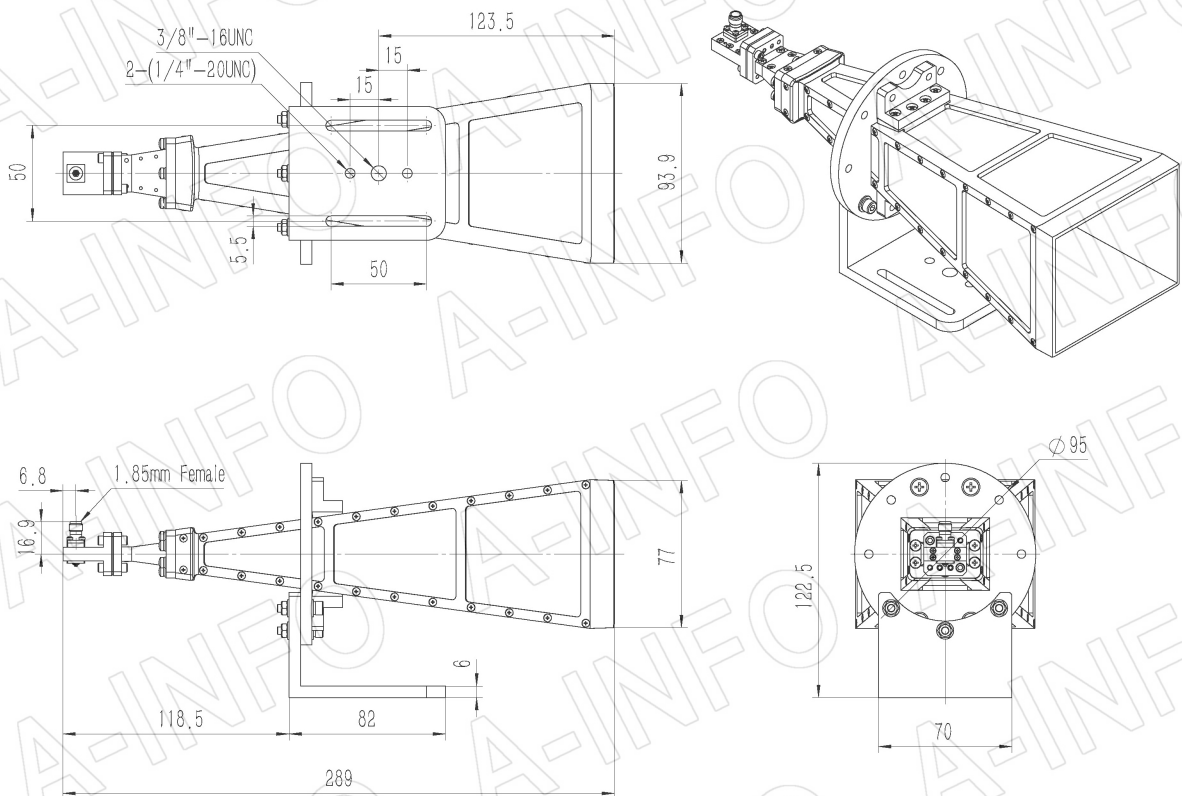
(+86) 10-6266-7327 Fax: (+86) 10-6266-7379  
 (+86) 28-8519-3044 Fax: (+86) 28-8519-3068  
 (+1) 949-639-9608 Fax: (+1) 949-639-9670

Website: [www.ainfoinc.com](http://www.ainfoinc.com)  
 Email: [sales@ainfoinc.com](mailto:sales@ainfoinc.com)

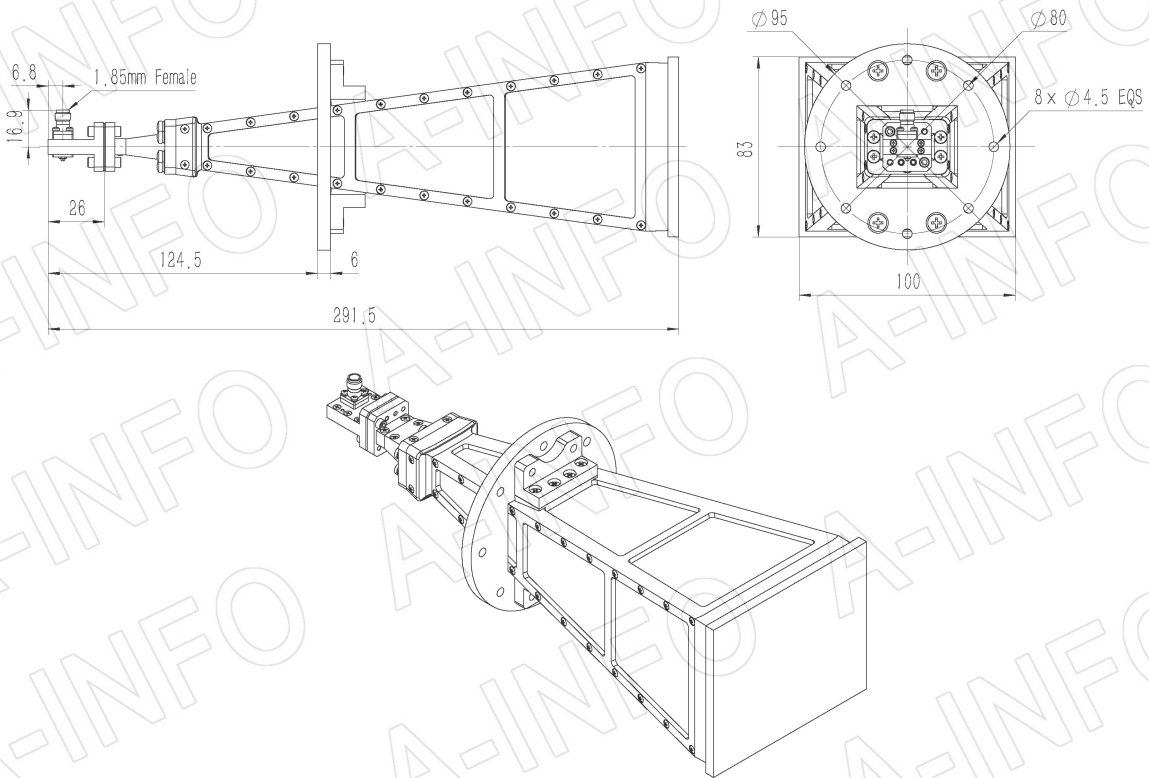
## 1.85mm-Female Output with Round Mounting Bracket (Option, P/N: LB-180400-25-MB2)



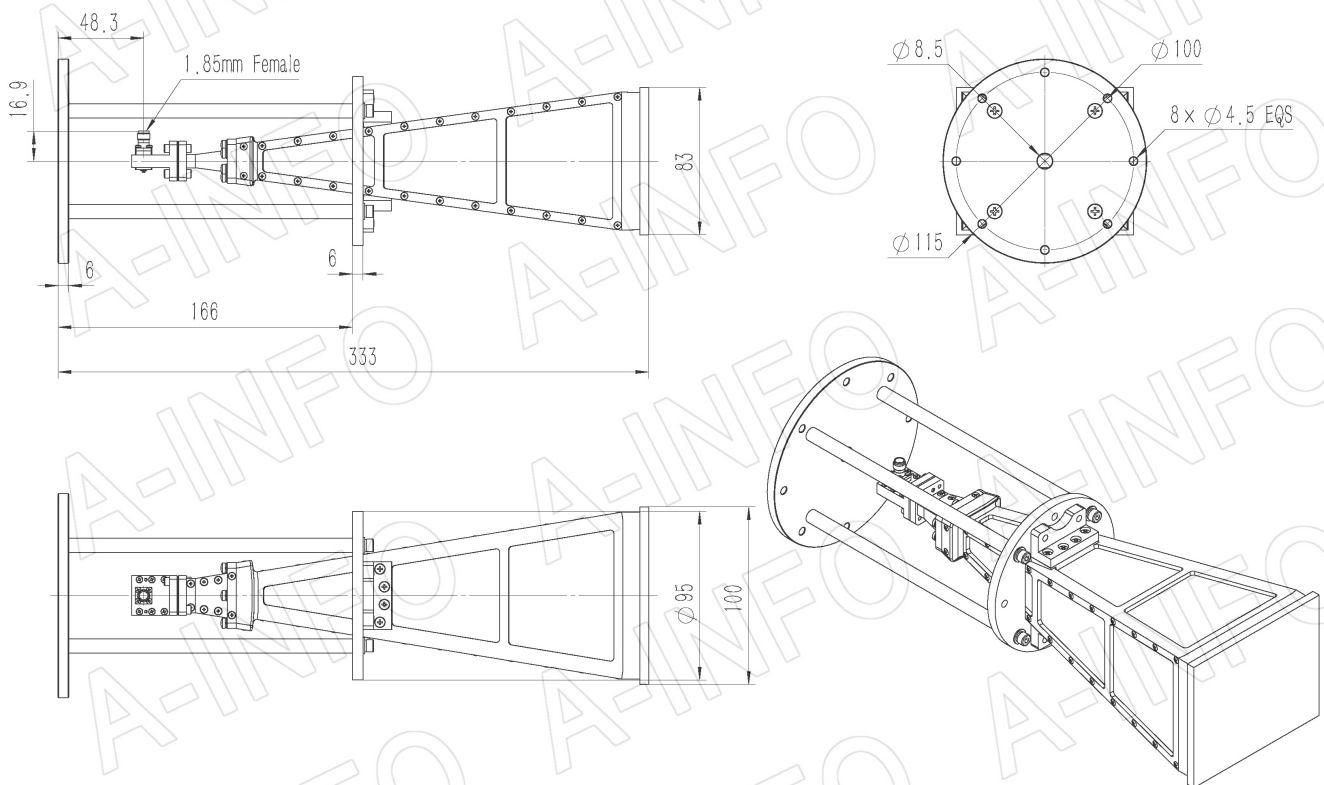
## 1.85mm-Female Output with L Type Mounting Bracket (Option, P/N: LB-42-25-L2)



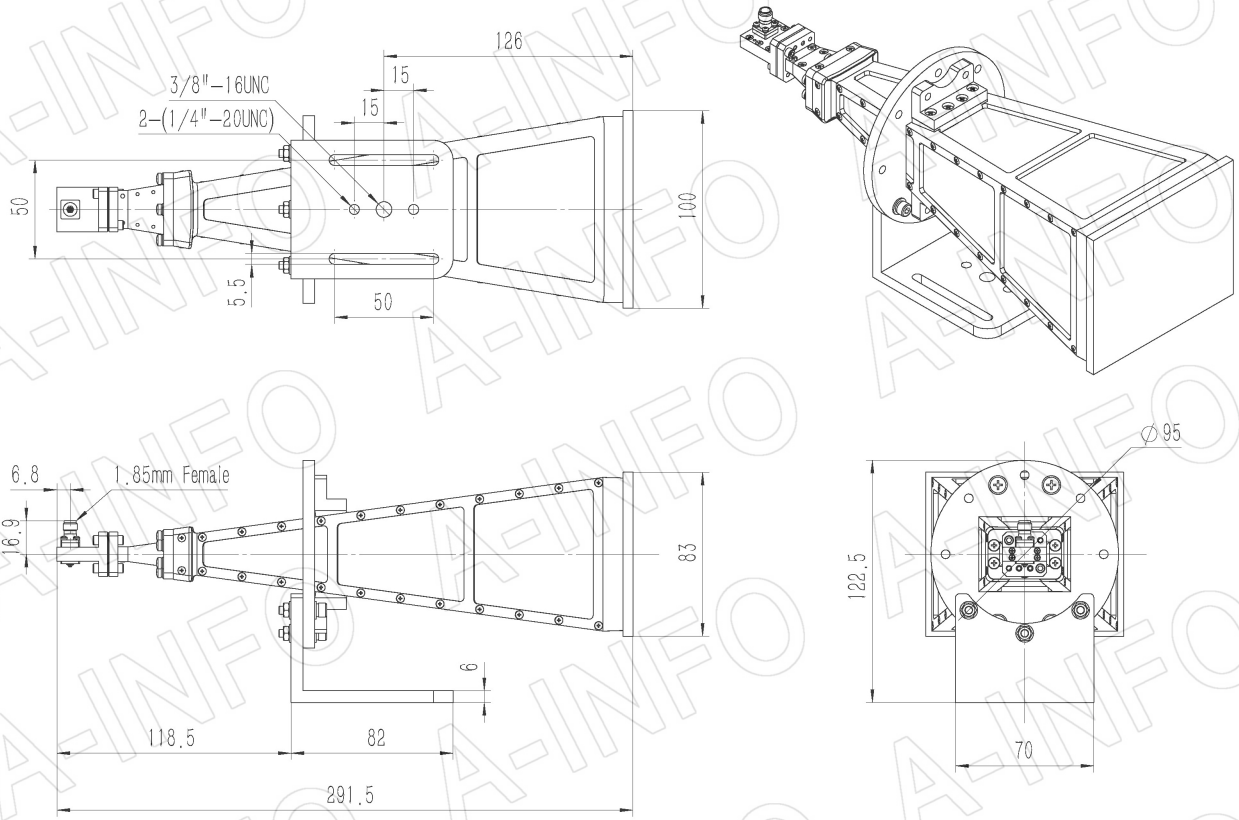
**1.85mm-Female Output with Radome (Option, P/N: LB-180550-25-C-1.85FSPO, Outdoor Application)**



**1.85mm-Female Output with Round Mounting Bracket & Radome (Option, P/N: LB-180400-25-MB2 & LB-180550-25-C-1.85FSPO, Outdoor Application)**

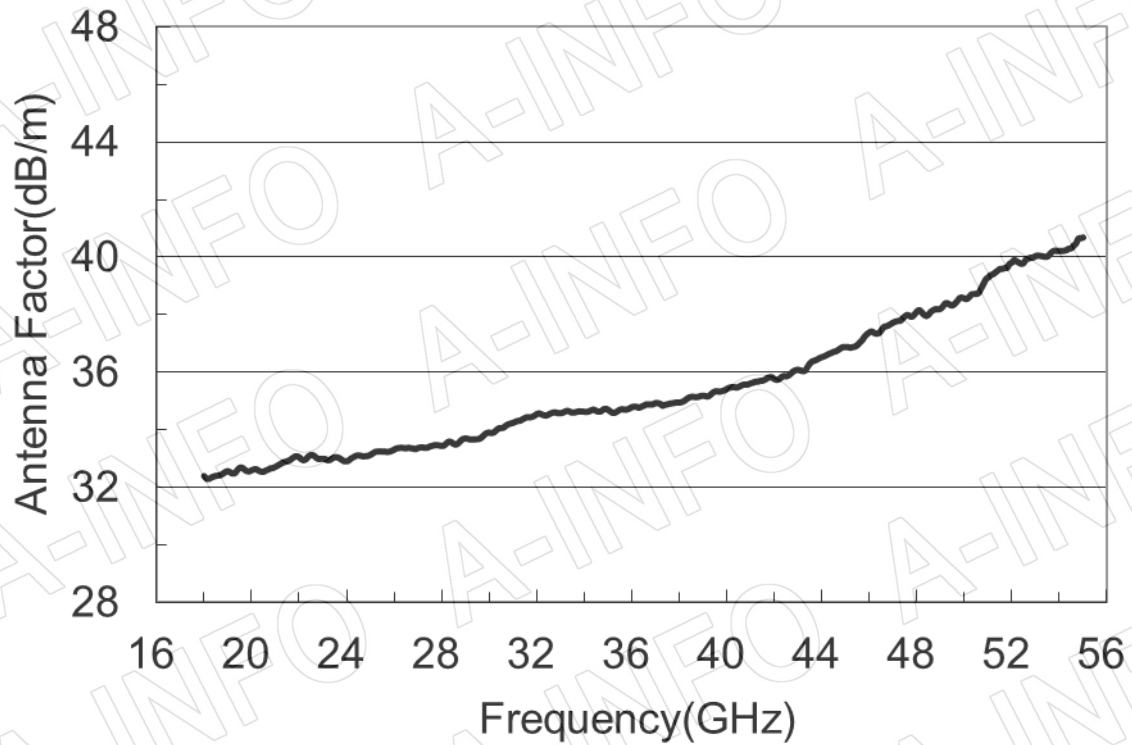
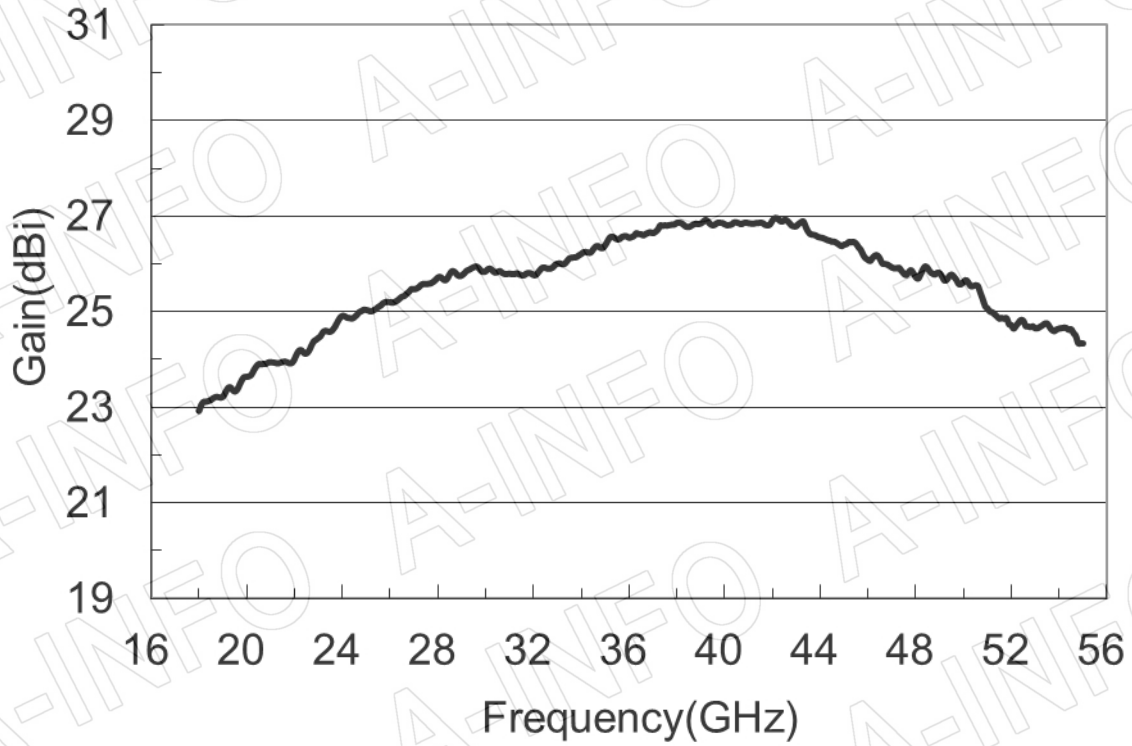


1.85mm-Female Output with L Type Mounting Bracket & Radome (Option, P/N: LB-42-25-L2 & LB-180550-25-C-1.85FSPO, Outdoor Application)

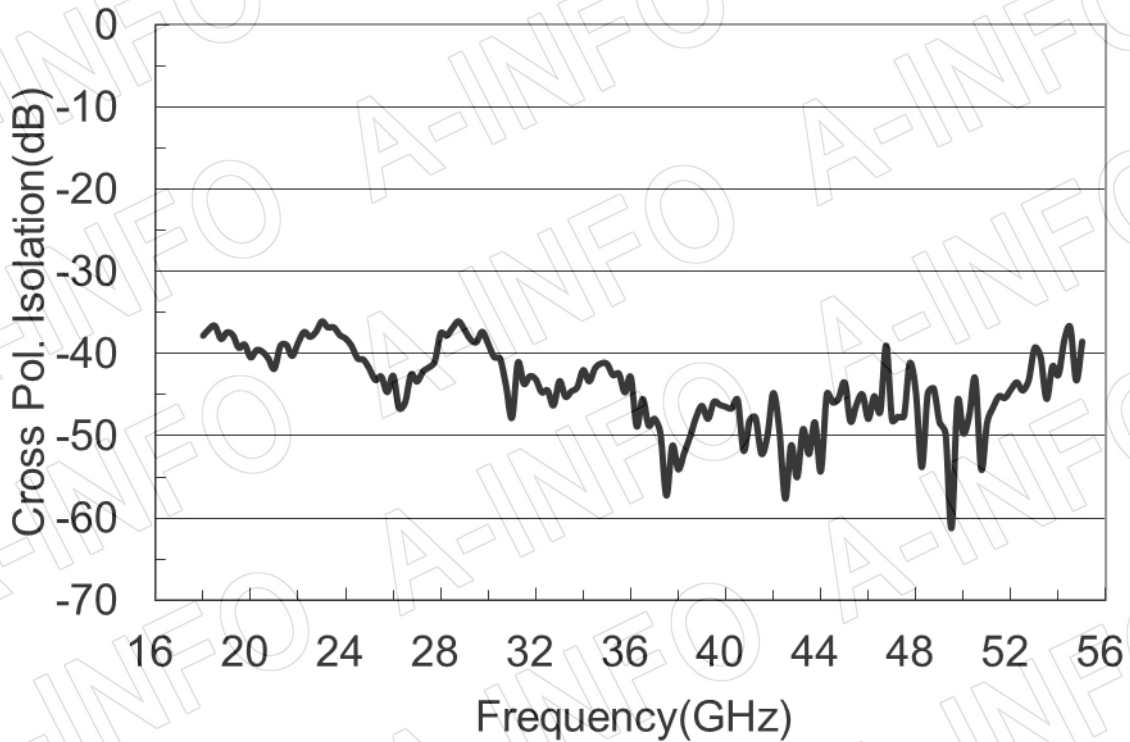


## Test Results

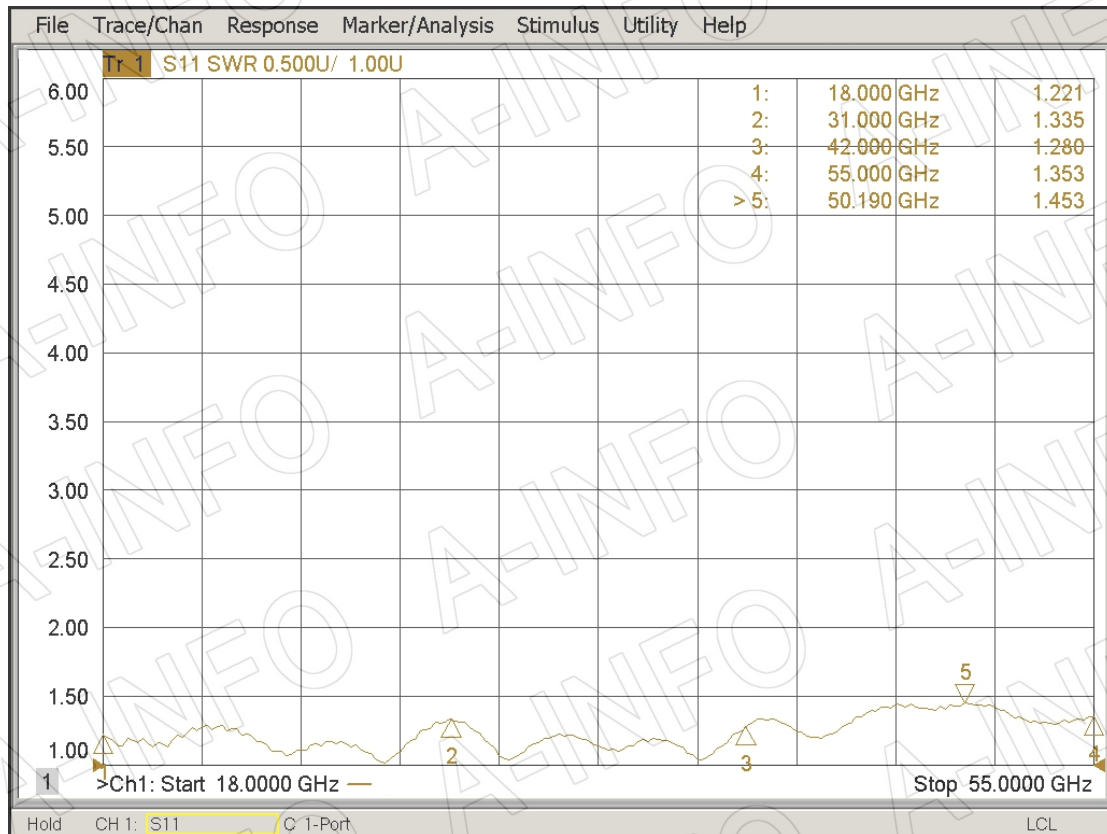
### 1. Gain & Antenna Factor



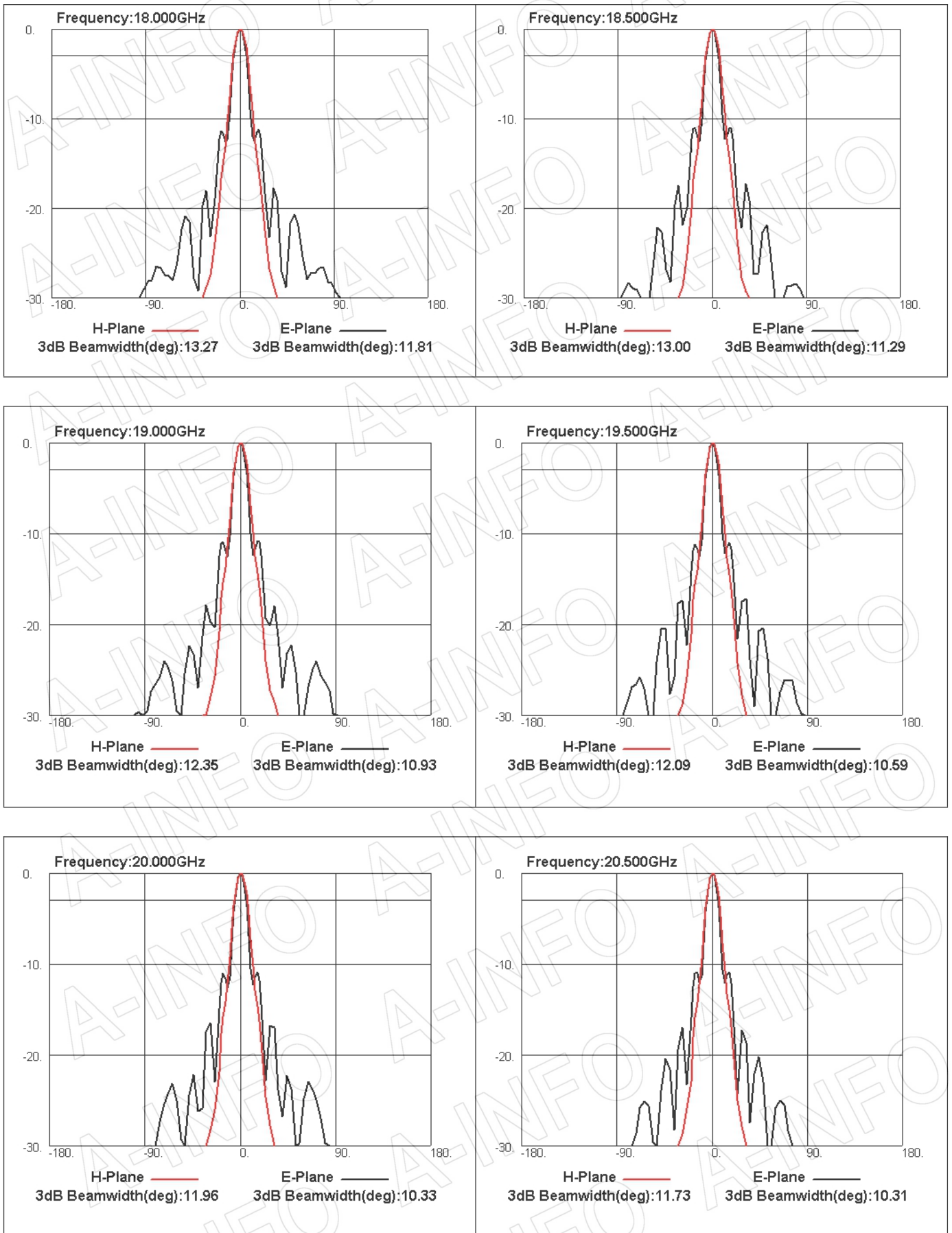
## 2. Cross Polarization Isolation



## 3. VSWR



## 4. Pattern



**AINFO Inc.**

China(Beijing): Tel: (+86) 10-6266-7326,  
China(Chengdu): Tel: (+86) 28-8519-2786,  
USA : Tel: (+1) 949-639-9688,

Page 7 of 19

(+86) 10-6266-7327 Fax: (+86) 10-6266-7379  
(+86) 28-8519-3044 Fax: (+86) 28-8519-3068  
(+1) 949-639-9608 Fax: (+1) 949-639-9670

Website: [www.ainfoinc.com](http://www.ainfoinc.com)  
Email: [sales@ainfoinc.com](mailto:sales@ainfoinc.com)

